

## Identification Data



March 14, 2022  
 LAB GROWN DIAMOND  
 Certificate No: 320620010

### Gemprint<sup>®</sup> *The fingerprint system for diamonds<sup>®</sup>*



Gemprint is the unique optical identification fingerprint of your lab grown diamond. Register your lab grown diamond fingerprint at [www.Gemprint.com](http://www.Gemprint.com) and receive insurance discounts up to 10%.

### Laser Inscription



Girdle laser inscribed:  
 GCAL LG320620010  
 GROWN IN THE USA  
 PAT. 6,858,078  
 This illustration depicts the approximate appearance of the inscriptions

*Certified*  
**SUSTAINABILITY RATED DIAMOND**  
 SCS GLOBAL SERVICES

All certified diamonds come with an individual certificate, ONLY available at an accredited retailer

FOR THE SUSTAINABILITY RATED CERTIFICATE, SCAN HERE →

## The 4Cs Grading Analysis

GCAL 320620010      LAB GROWN DIAMOND\*

**Carat Weight:** 1.24

**Cut:** Excellent  
**Shape:** Princess  
**Measurements:** 5.84x5.81x4.16mm  
**Optical Brilliance:** Excellent  
**Optical Symmetry:** Very Good  
**Polish:** Excellent  
**External Symmetry:** Very Good  
**Girdle Thickness:** SI.Thick  
**Culet Size:** None

**Color:** F  
**Fluorescence:** None

**Clarity:** VS2  
**Identifying Characteristic(s):** Crystals  
**Characteristic Location(s):** Table

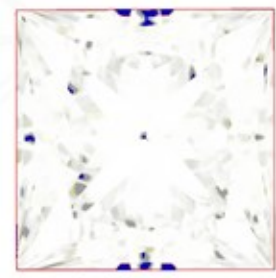
\*Comments: This laboratory grown diamond was created by the CVD (Chemical Vapor Deposition) method, and has the same chemical, physical, and optical properties as a mined diamond. This diamond is Type IIa, which means it is devoid of nitrogen impurities. As Grown - No evidence of post-growth treatment was detected.

**Photomicrographs:**  
 Actual images of the crown (top) and pavilion (bottom) of this diamond photographed at magnifications up to 10x.



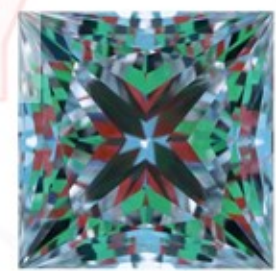
## Light Performance Profile

**Optical Brilliance Analysis:**  
 Brilliance is the overall return of light to the viewer. The brilliance image is a representation of (a) white areas of light return, or brilliance, and (b) dark-blue areas of light loss.



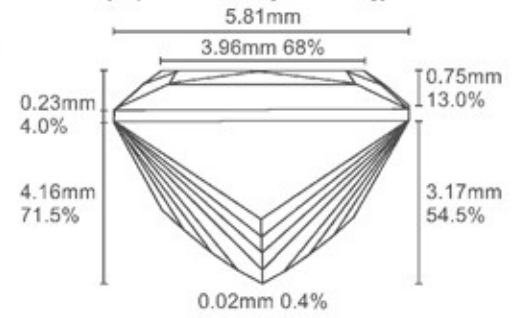
Optical Brilliance  
 Excellent

**Optical Symmetry Analysis:**  
 The colored areas of the symmetry image are indications of light handling ability, giving a visual representation of proportions and facet alignment.



Optical Symmetry  
 Very Good

**Proportion Diagram:**  
 The proportion diagram illustrates the actual dimensions as recorded by optical scanning technology.



**GCAL** GEM CERTIFICATION & ASSURANCE LAB  
 ISO 17025 ACCREDITED FORENSIC LABORATORY

580 Fifth Ave LL-05  
 New York, NY 10036  
 T 212-869-8985  
 GCALUSA.com

**ANAB**  
 ISO/IEC 17025 2017  
 ANAB L2177-1 Accredited Testing Lab