

Identification Data



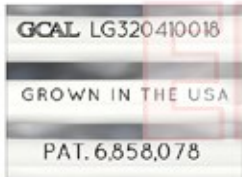
February 22, 2022
 LAB GROWN DIAMOND
 Certificate No: 320410018

Gemprint The fingerprint system for diamonds®



Gemprint is the unique optical identification fingerprint of your lab grown diamond. Register your lab grown diamond fingerprint at www.Gemprint.com and receive insurance discounts up to 10%.

Laser Inscription



Girdle laser inscribed:
 GCAL LG320410018
 GROWN IN THE USA
 PAT. 6,858,078
 This illustration depicts the approximate appearance of the inscriptions

Certified
SUSTAINABILITY RATED DIAMOND
 SCS GLOBAL SERVICES

All certified diamonds come with an individual certificate, ONLY available at an accredited retailer

FOR THE SUSTAINABILITY RATED CERTIFICATE, SCAN HERE →

The 4Cs Grading Analysis

GCAL 320410018 LAB GROWN DIAMOND*

Carat Weight: 0.78

Cut: Very Good
 Shape: Princess
 Measurements: 5.15x4.96x3.45mm
 Optical Brilliance: Excellent
 Optical Symmetry: Good
 Polish: Very Good
 External Symmetry: Very Good
 Girdle Thickness: Ex.Thin-SI.Thick
 Culet Size: None

Color: G
Fluorescence: None

Clarity: VS2
 Identifying Characteristic(s): Clouds/Crystal/Chips
 Characteristic Location(s): Table,Crown Step/Crown Step/Crown Corner

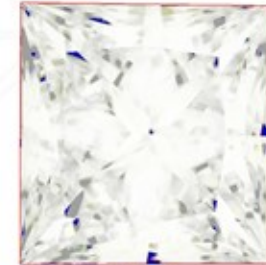
*Comments: This laboratory grown diamond was created by the CVD (Chemical Vapor Deposition) method, and has the same chemical, physical, and optical properties as a mined diamond. This diamond is Type IIa, which means it is devoid of nitrogen impurities. As Grown - No evidence of post-growth treatment was detected.

Photomicrographs:
 Actual images of the crown (top) and pavilion (bottom) of this diamond photographed at magnifications up to 10x.



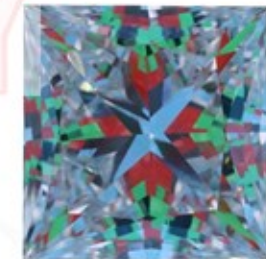
Light Performance Profile

Optical Brilliance Analysis:
 Brilliance is the overall return of light to the viewer. The brilliance image is a representation of (a) white areas of light return, or brilliance, and (b) dark-blue areas of light loss.



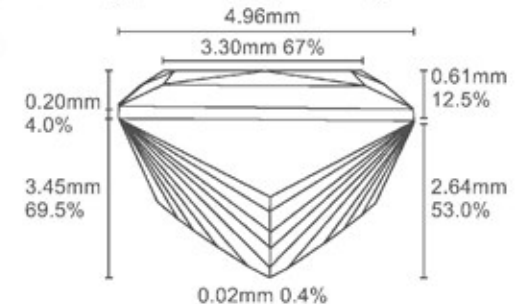
Optical Brilliance
 Excellent

Optical Symmetry Analysis:
 The colored areas of the symmetry image are indications of light handling ability, giving a visual representation of proportions and facet alignment.



Optical Symmetry
 Good

Proportion Diagram:
 The proportion diagram illustrates the actual dimensions as recorded by optical scanning technology.



GCAL GEM CERTIFICATION & ASSURANCE LAB
 ISO 17025 ACCREDITED FORENSIC LABORATORY

580 Fifth Ave LL-05
 New York, NY 10036
 T 212-869-8985
 GCALUSA.com

ANAB
 ISO/IEC 17025 2017
 ANAB L2177-1 Accredited Testing Lab