

## Identification Data



February 01, 2022  
 LAB GROWN DIAMOND  
 Certificate No: 320280479

### Gemprint<sup>®</sup> *The fingerprint system for diamonds<sup>®</sup>*



Gemprint is the unique optical identification fingerprint of your lab grown diamond. Register your lab grown diamond fingerprint at [www.Gemprint.com](http://www.Gemprint.com) and receive insurance discounts up to 10%.

### Laser Inscription



Girdle laser inscribed:  
 GCAL LG320280479  
 GROWN IN THE USA BY WD  
 PAT. 6,858,078  
 This illustration depicts the approximate appearance of the inscriptions

*Certified*  
**SUSTAINABILITY RATED  
 DIAMOND**  
 SCS GLOBAL SERVICES

All certified diamonds come with an individual certificate, **ONLY** available at an accredited retailer

FOR THE SUSTAINABILITY RATED CERTIFICATE, SCAN HERE →

## The 4Cs Grading Analysis

GCAL 320280479      LAB GROWN DIAMOND\*

**Carat Weight:** 1.30

**Cut:** Very Good  
 Shape: Radiant Brilliant  
 Measurements: 7.62x5.56x3.58mm  
 Optical Brilliance: Excellent  
 Optical Symmetry: Good  
 Polish: Very Good  
 External Symmetry: Very Good  
 Girdle Thickness: Medium-Sl.Thick  
 Culet Size: None

**Color:** F  
**Fluorescence:** None

**Clarity:** VS1  
 Identifying Characteristic(s): Clouds  
 Characteristic Location(s): Crown Step, Table

\*Comments: This laboratory grown diamond was created by the CVD (Chemical Vapor Deposition) method, and has the same chemical, physical, and optical properties as a mined diamond. This diamond is Type IIa, which means it is devoid of nitrogen impurities. As Grown - No evidence of post-growth treatment was detected.

**Photomicrographs:**  
 Actual images of the crown (top) and pavilion (bottom) of this diamond photographed at magnifications up to 10x.



## Light Performance Profile

**Optical Brilliance Analysis:**  
 Brilliance is the overall return of light to the viewer. The brilliance image is a representation of (a) white areas of light return, or brilliance, and (b) dark-blue areas of light loss.



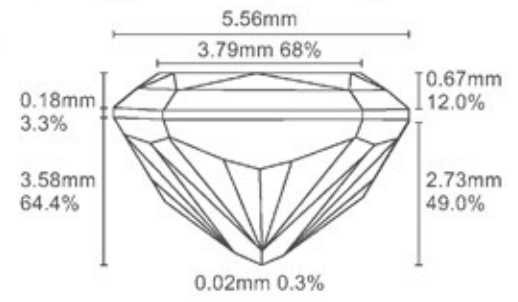
Optical Brilliance  
Excellent

**Optical Symmetry Analysis:**  
 The colored areas of the symmetry image are indications of light handling ability, giving a visual representation of proportions and facet alignment.



Optical Symmetry  
Good

**Proportion Diagram:**  
 The proportion diagram illustrates the actual dimensions as recorded by optical scanning technology.



**GCAL** GEM CERTIFICATION & ASSURANCE LAB  
 ISO 17025 ACCREDITED FORENSIC LABORATORY  
 580 Fifth Ave LL-05  
 New York, NY 10036  
 T 212-869-8985  
 GCALUSA.com

**ANAB**  
 ISO/IEC 17025 2017  
 ANAB L2177-1 Accredited Testing Lab