

## Identification Data



November 30, 2021

LAB GROWN DIAMOND  
Certificate No: 313140107

### Gemprint®

Gemprint is the unique optical fingerprint for positive identification of your lab grown diamond. Register your lab grown diamond at [www.Gemprint.com](http://www.Gemprint.com) and receive insurance discounts up to 10%.



### Laser Inscription:

The illustration depicts enlarged and approximate appearances of the inscriptions. Girdle laser inscribed "GROWN IN THE USA BY WD", "PAT. 6,858,078", GCAL Logo and "LG313140107"



## The 4Cs Grading Analysis

GCAL 313140107

LAB GROWN DIAMOND\*

Carat Weight:

0.76

Cut:

Very Good

Shape:

Princess

Measurements:

5.05x4.88x3.54mm

Optical Brilliance:

Excellent

Optical Symmetry:

Good

Polish:

Very Good

External Symmetry:

Very Good

Girdle Thickness:

SI.Thick

Culet Size:

None

Color:

F

Fluorescence:

None

Clarity:

VS2

Identifying Characteristic(s):

Clouds/Crystals/Feather

Characteristic Location(s):

Crown Corner/Table/Chevron

\*Comments: This laboratory grown diamond was created by the CVD (Chemical Vapor Deposition) method, and has the same chemical, physical, and optical properties as a mined diamond. This diamond is Type IIa, which means it is devoid of nitrogen impurities. As Grown - No evidence of post-growth treatment was detected.

### Photomicrographs:

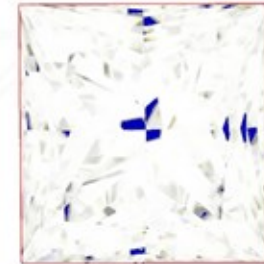
Actual images of the crown (top) and pavilion (bottom) of this diamond photographed at magnifications up to 10x.



## Light Performance Profile

### Optical Brilliance Analysis:

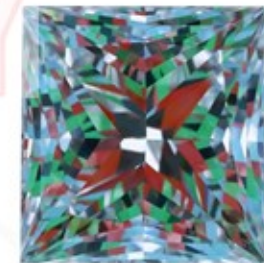
Brilliance is the overall return of light to the viewer. The brilliance image is a representation of (a) white areas of light return, or brilliance, and (b) dark-blue areas of light loss.



Optical Brilliance  
Excellent

### Optical Symmetry Analysis:

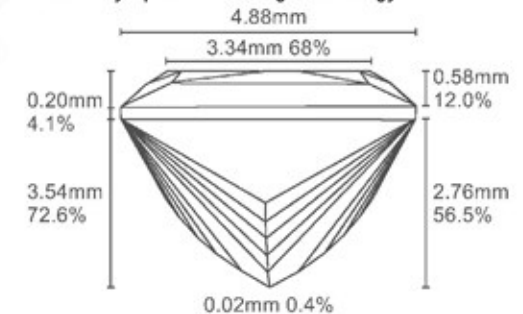
The colored areas of the symmetry image are indications of light handling ability, giving a visual representation of proportions and facet alignment.



Optical Symmetry  
Good

### Proportion Diagram:

The proportion diagram illustrates the actual dimensions as recorded by optical scanning technology.



**GCAL** GEM CERTIFICATION & ASSURANCE LAB  
ISO 17025 ACCREDITED FORENSIC LABORATORY

580 Fifth Ave LL-05  
New York, NY 10036  
T 212-869-8985  
GCALUSA.com



ISO/IEC 17025 2017  
ANAB L2177-1 Accredited Testing Lab