

## Identification Data



May 29, 2020

LAB GROWN DIAMOND  
Certificate No: 301470034

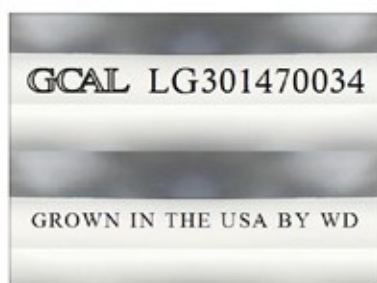
### Gemprint®

Gemprint is the unique optical fingerprint for positive identification of your lab grown diamond. Register your lab grown diamond at [www.Gemprint.com](http://www.Gemprint.com) and receive insurance discounts up to 10%.



### Laser Inscription:

The illustration depicts enlarged and approximate appearances of the inscriptions. Girdle laser inscribed "GROWN IN THE USA BY WD", GCAL Logo and "LG301470034"



## The 4Cs Grading Analysis

GCAL 301470034

LAB GROWN DIAMOND\*

Carat Weight: 1.50

Cut: Very Good  
Shape: Princess  
Measurements: 6.28x6.10x4.23mm  
Optical Brilliance: Excellent  
Optical Symmetry: Very Good  
Polish: Good  
External Symmetry: Very Good  
Girdle Thickness: SI.Thick-Thick  
Culet Size: None

Color: I  
Fluorescence: None

Clarity: VS2  
Identifying Characteristic(s): Feathers/Clouds  
Characteristic Location(s): Table, Pavilion Corner/ Throughout Crown

\*Comments: This man-made diamond was grown in a laboratory by the CVD method, and has the same chemical, physical, and optical properties as an earth mined diamond.

### Photomicrographs:

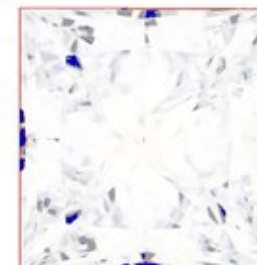
Actual images of the crown (top) and pavilion (bottom) of this diamond photographed at magnifications up to 10x.



## Light Performance Profile

### Optical Brilliance Analysis:

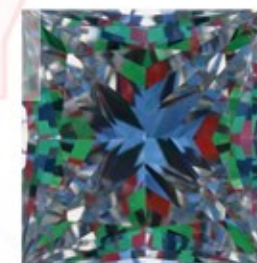
Brilliance is the overall return of light to the viewer. The brilliance image is a representation of (a) white areas of light return, or brilliance, and (b) dark-blue areas of light loss.



Optical Brilliance  
Excellent

### Optical Symmetry Analysis:

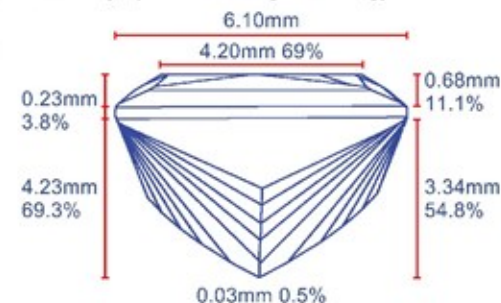
The colored areas of the symmetry image are indications of light handling ability, giving a visual representation of proportions and facet alignment.



Optical Symmetry  
Very Good

### Proportion Diagram:

The proportion diagram illustrates the actual dimensions as recorded by optical scanning technology.



**GCAL**  
GEM CERTIFICATION & ASSURANCE LAB  
INTEGRITY GUARANTEED™



ISO/IEC 17025:2017 ANAB Accredited Testing Lab  
580 Fifth Avenue, New York, NY 10036, T 212.869.8985 F 212.869.2315  
[www.DiamondID.com](http://www.DiamondID.com), [www.GemFacts.com](http://www.GemFacts.com), [www.Gemprint.com](http://www.Gemprint.com)